

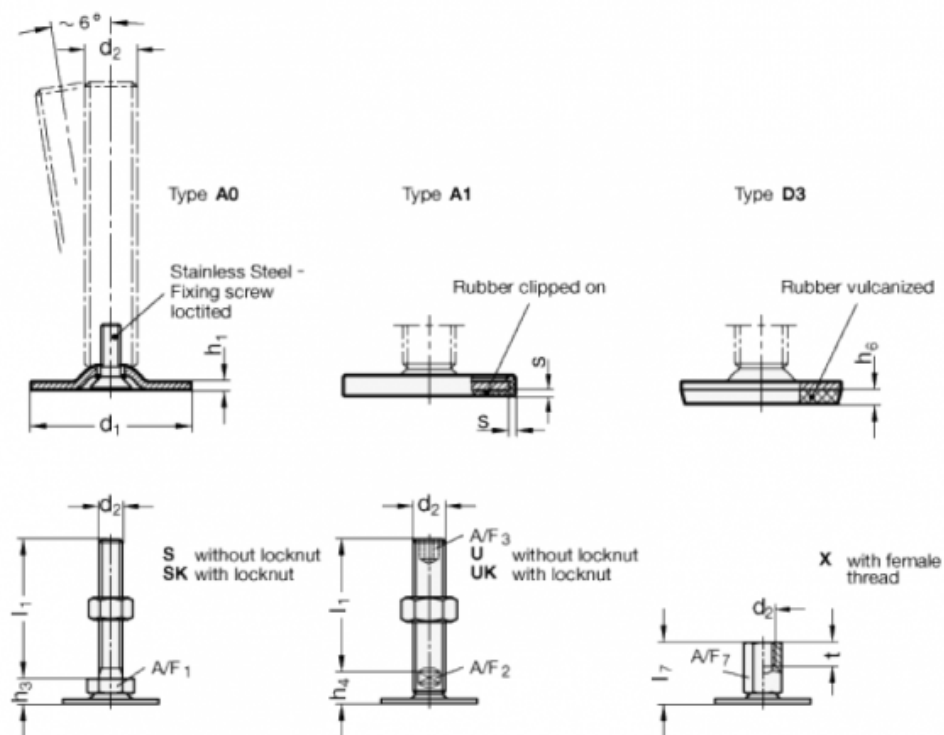
Article number: 204080M1232A3X

Description: E+G levelling foot

GN 40-80-M12-32-A3-X

Note: X With female thread, External hexagon

Measures



A/F7	=	17
d1	=	80
d2	=	M12
h1	=	3
h6	=	5
l7	=	32
s	=	
t	=	12